

Video Encoder for Mobile Devices

Full line-up suitable for a variety of applications

Compatible with both NTSC and PAL systems. Enjoy your video images on TVs all over the world.

Equipped with various filter functions that prioritize picture quality and Macrovision for protection of content.

High-quality and Compact Advanced Video Encoder!

Simple Video Encoder

CSP42 (3.3x3.78mm) miniature package

LC822961

Video Encoder with built-in Video Driver

High-performance video driver built-in
→ High-capacity capacitor not needed

LC822966

Video Encoder with built-in Video Driver + MV*

LC822966 + Macrovision function-added model

LC822967

High-Performance Video Encoder with built-in SDRAM + MV*

16M SDRAM built-in
→ Reduces CPU load and delivers high-performance

LC822973

*: MV (Macrovision)

Allows Easy Output to a TV from Mobile Devices, PMP, Cameras, etc.!



Full Functions with built-in SDRAM LC822973

Video data can be written at irregular intervals



Standard video rate output

The variable frame rate allows extended exposures when used in cameras! Great at low light levels. Helps keep costs down by reducing the CPU load.

Enlarge video content



Independent x1 to x4 horizontal/vertical scaler

Rotate video content



0 to 360°, 90° rotation & mirror inversion

Equipped with OSD1, OSD2



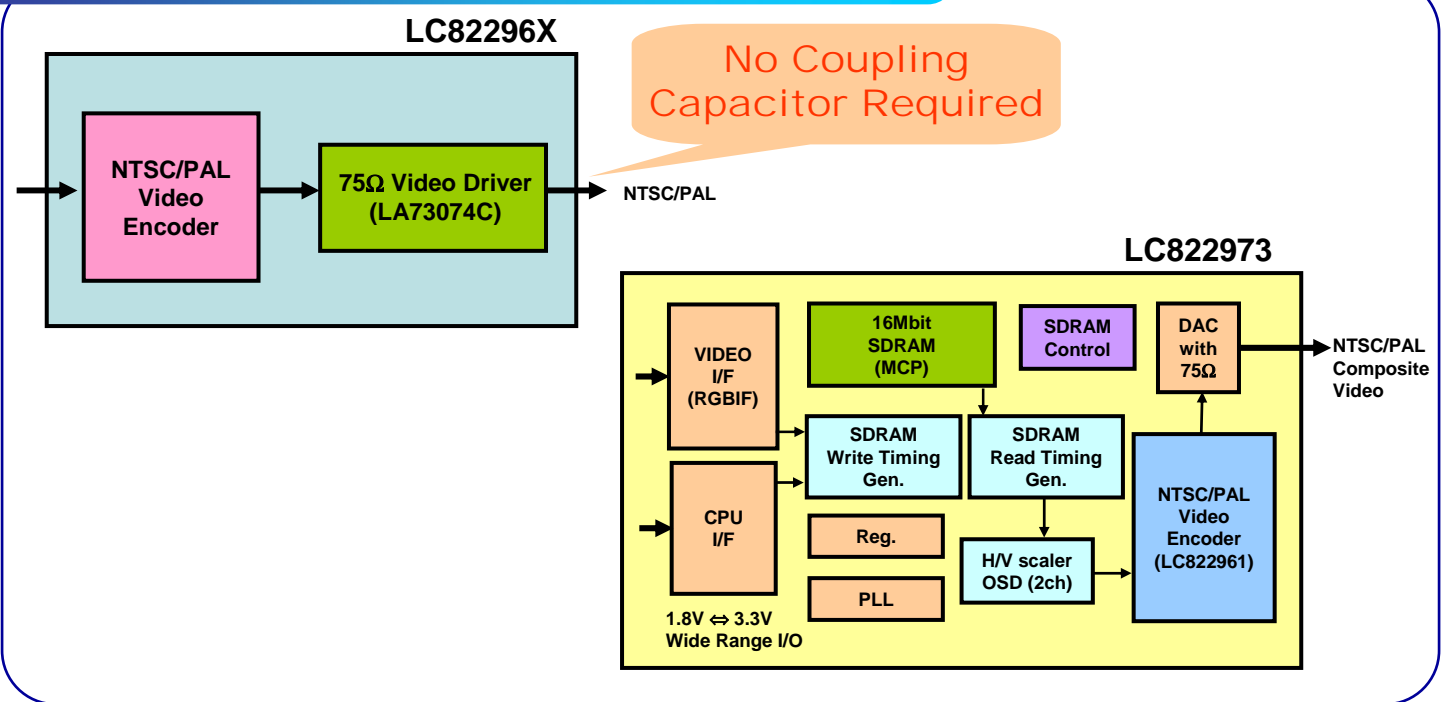
Delivers multi-layer OSD for video images

30 fps motion picture performance



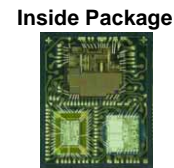
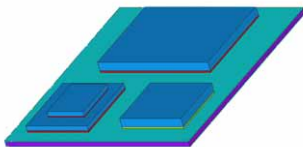
Allows powerful displays of video images

Circuit Configuration



ISB Technology Suitable for Miniaturization

ISB (Integrated System in Board) SANYO's original SiP technology. Offers significant miniaturization of package size!



Product Specifications

Model name	LC822961	LC822966	LC822967	LC822973
Application	Video encoder			Image viewer (built-in encoder function)
Input interface	Video interface			Video & CPU interface
Input formats	YUV422 (8bit, 16bit) RGB565 (8bit, 16bit), BT656			YUV422, BT656, RGB565 (8bit, 16bit) RGB666 (8bit, 16bit, 18bit) RGB888 (8bit, 16bit)
Output formats	PAL/NTSC, ITU-601/SQ (square pixels)			
Video out	Built-in 75Ω driver, 10-bit 1-channel DAC (high-capacity capacitor not required with the 966/967)			
Supply voltage	3V	1.8V & 3.0V		1.5V & 3.0V 1.8-3.0V (IO voltage)
Macrovision	-		○	○
Enlarge/rotate	-			○
OSD	Can be connected to an OSD chip			Built-in OSD plane
Package (size mm)	CSP42 (3.3×3.78mm) SQFP48 (7.0×7.0mm)	ISB49 (3.80×3.80mm)		ISB63 (4.0×5.0mm) VQFN84 (10.0×10.0mm)